

Kentucky

State High School Basketball Tournament

LOUISIANA KENTUCKY

*74th Boys'
Sweet Sixteen*

Official Statistics
Game Twelve
Corbin vs. Fairdale

RUPP ARENA • LEXINGTON, KENTUCKY • MARCH 13-16, 1991 • \$2.00



OFFICIAL NCAA BASKETBALL BOX SCORE: *** FINAL ***

Date: 03-15-91 Site:Lexington, Ky.

VISITORS (Last Name, First)

NO.	FAIRDALE	Tot FG		3-POINT		FT	FTA	Rebounds			PF	TP	A	TO	BLK	S	TIME	
		FG	FGA	FG	FGA			OFF	DEF	TOT								
04	Brown, Jermaine	17	22	1	1	1	2	6	8	14	4	36	2	1	3	2	30:44	
22	Morris, Maurice	5	15	0	2	0	0	1	7	8	3	10	3	2	0	2	30:24	
25	Comstock, Tim	3	5	0	1	0	1	2	2	4	4	6	2	3	0	1	20:49	
05	Thompson, Jeff	2	5	1	2	0	0	0	3	3	1	5	2	3	0	1	32:00	
15	Turner, Carlos	1	6	0	2	0	0	0	3	3	4	2	2	3	0	0	21:33	
33	Bishop, Sean	1	2	0	0	6	8	3	0	3	2	8	0	2	0	1	21:38	
30	Kelso, Chris	0	1	0	0	0	0	0	3	3	1	0	0	0	0	0	2:52	
TEAM REBOUNDS (INCLUDED IN TOTALS)								1 1										
TOTALS		29	56	2	8	7	11	12	27	39	19	67	11	14	3	7	160	

TOTAL FG 1st HALF 9/17 52.9% 2nd HALF 20/39 51.3% GAME 29/ 56 51.8% DEADBALL
 3-POINT FG 1st HALF 1/ 1 100.0% 2nd HALF 1/ 7 14.3% GAME 2/ 8 25.0% REBOUNDS 1
 FREE THROWS 1st HALF 0/ 0 0.0% 2nd HALF 7/11 63.6% GAME 7/ 11 63.6%

HOME (Last Name, First)

NO.	CORBIN	Tot FG		3-POINT		FT	FTA	Rebounds			PF	TP	A	TO	BLK	S	TIME	
		FG	FGA	FG	FGA			OFF	DEF	TOT								
04	Ely, Jeff	1	7	0	3	2	4	1	0	1	5	4	2	0	0	0	18:57	
30	Roaden, Bo	11	21	2	9	3	4	3	7	10	5	27	2	3	0	0	31:43	
40	Helton, Steve	0	0	0	0	0	0	0	1	1	0	0	0	0	0	0	6:00	
10	Parsons, Wade	3	3	0	0	0	0	0	2	2	1	6	1	2	0	0	31:53	
20	Barton, Brent	4	15	0	7	7	8	1	3	4	2	15	3	4	0	1	30:46	
23	Pietrowski, Tony	4	7	0	1	1	2	1	2	3	1	9	1	2	0	4	26:07	
24	Helton, Frankie	0	0	0	0	0	0	0	1	1	1	0	0	0	0	1	13:03	
22	Estep, Jason	0	0	0	0	0	0	0	0	0	0	0	0	0	0	0	1:14	
33	Curry, Toby	0	1	0	1	0	0	0	0	0	0	0	0	0	0	0	0:17	
TEAM REBOUNDS (INCLUDED IN TOTALS)								3 1 4										
TOTALS		23	54	2	21	13	18	9	17	26	15	61	9	11	0	6	160	

TOTAL FG 1st HALF 8/18 44.4% 2nd HALF 15/36 41.7% GAME 23/ 54 42.6% DEADBALL
 3-POINT FG 1st HALF 1/ 8 12.5% 2nd HALF 1/13 7.7% GAME 2/ 21 9.5% REBOUNDS 2
 FREE THROWS 1st HALF 0/ 0 0.0% 2nd HALF 13/18 72.2% GAME 13/ 18 72.2%

OFFICIALS: Roy Boisture, Danny Percell, Y. Allen-Alt.

Technical: None

SCORE BY PERIODS

FAIRDALE 19 15 19 14 = 67
 CORBIN 17 13 17 14 = 61

Attendance: 15,875

COMMENTS: POINTS OFF TURNOVERS

FAIRDALE 18 CORBIN

SECOND CHANCE POINTS

13 FAIRDALE 20 CORBIN

10

FAIRDALE "Bulldogs" vs CORBIN "Redhounds"
1st Half Play by Play

Tip off at 9:25 p.m. on 03/15/91 at Lexington, Ky.
Produced by the University of Kentucky Stat Crew with FINAL III - a Product of LEXICON

PAGE : 2

Player	Team	CORBIN	Time	Score	FAIRDALE	Player	Team
Pietrowski, Tony	Bo	Helton, Frankie			Bishop, Sean	Morris, Maurice	Comstock, Tim
		Barton, Brent				Thompson, Jeff	
		Parsons, Wade					
		Ball to Redhounds					
5-9	55.5%	9-19 47.3%	10 ft Right Side Jump shot by Roaden, Bo	2 7:51	*19-19		
1		5	Assist by Barton, Brent	2 7:26			
1		3	Foul on Helton, Frankie	2 7:26	Bishop, Sean 2 Free Throws - missed both	0- 2	00.0%
				2 7:14	*21-19		
6-10	60.0%	10-20 50.0%	12 ft Lane Jump shot by Roaden, Bo	2 6:25	21-21*	8 ft Left Side Turnaround by Brown, Jermaine	7-10 70.0%
				2 6:05	21-23*	7 ft Left Side Bank by Comstock, Tim	10-19 52.6%
						Assist by Thompson, Jeff	11-20 55.0%
							1 3
				2 6:03			
						REB: 10 A: 3 BLK: 1 TO: 3 PF: 5	
				No. 1 CORBIN	T I M E - O U T	S: 3 FT: 0-2 00.0%	FG: 11-20 55.0%
				2 5:52	*23-23		
2-2	100%	11-22 50.0%	15 ft Lane Jump shot by Pietrowski, Tony	2 5:34			
2		4	Foul on Barton, Brent	2 5:34	23-25* Layup Alley Oop by Brown, Jermaine	8-11 72.7%	12-22 54.5%
					Assist by Morris, Maurice	1	4
				2 5:13	*25-25		
1-1	100%	12-23 52.1%	14 ft Lane Jump shot by Parsons, Wade	2 4:53	25-27* Driving Dunk by Brown, Jermaine	9-12 75.0%	13-23 56.5%
2		6	Assist by Barton, Brent		Assist by Morris, Maurice	2	5
				2 4:21			
			Sub In: Ely, Jeff Out: Helton, Frankie	2 4:07			
1		5	Foul on Roaden, Bo	2 4:07	Sub In: Kelso, Chris Out: Brown, Jermaine		
				2 3:52			
1		6	Foul on Parsons, Wade	2 3:52	25-30* 3 pt 20 ft Circle Jump shot by Thompson, Jeff	2-3 66.6%	14-25 56.0%
					Assist by Morris, Maurice	3	6
					Foul on Thompson, Jeff	1	6
				2 2:51			
				2 2:51	Sub In: Brown, Jermaine Out: Kelso, Chris		
1- 2	50.0%	1- 2 50.0%	Ely, Jeff 2 Free Throws - made 1st missed 2nd	2 2:51	*26-30		
				2 2:28	26-32* Follow Layup by Comstock, Tim	2-3 66.6%	15-29 51.7%
1		7	Foul on Ely, Jeff	2 2:28			
			Sub In: Helton, Frankie Out: Ely, Jeff	2 2:28			
				2 2:28	Comstock, Tim 1 Free Throw - missed	0- 1	00.0%
				2 1:54	*28-32		
3-9	33.3%	13-26 50.0%	16 ft Circle Jump shot by Barton, Brent	2 1:09	28-34* 10 ft Left Side Jump shot by Brown, Jermaine	10-14 71.4%	16-30 53.3%
				2 0:07	Foul on Bishop, Sean	1	7
				2 0:07			
			Sub In: Helton, Steve Out: Parsons, Wade	2 0:07	*30-34		
2- 2	100%	3- 4 75.0%	Barton, Brent 2 Free Throws - made both	2 0:00	3 pt 20 ft Left Side Jump shot by Comstock, Tim, missed	2-4 50.0%	16-31 51.6%
D-1	Tot-1	D-1	Tot-16	2 0:00			
			Rebound by Roaden, Bo				

OFFICIAL NCAA BASKETBALL BOX SCORE: * OFFICIAL FIRST HALF *
 Date: 03-15-91 Site:Lexington, Ky.

VISITORS (Last Name, First)

NO.	FAIRDALE	Tot FG		3-POINT		FT	FTA	Rebounds			PF	TP	A	TO	BLK	S	TIME
		FG	FGA	FG	FGA			OFF	DEF	TOT							
04	Brown, Jermaine	10	14	1	1	0	0	3	1	4	1	21	0	0	1	1	14:44
22	Morris, Maurice	1	5	0	1	0	0	0	5	5	0	2	3	2	0	1	16:00
25	Comstock, Tim	2	4	0	1	0	1	1	1	2	1	4	1	1	0	1	16:00
05	Thompson, Jeff	2	3	1	1	0	0	0	2	2	1	5	1	0	0	1	16:00
15	Turner, Carlos	0	2	0	0	0	0	0	0	0	3	0	1	1	0	0	5:33
33	Bishop, Sean	1	2	0	0	0	2	1	0	1	1	2	0	1	0	1	10:27
30	Kelso, Chris	0	1	0	0	0	0	0	1	1	0	0	0	0	0	0	1:16
TEAM REBOUNDS (INCLUDED IN TOTALS)								1 1									
TOTALS		16	31	2	4	0	3	5	11	16	7	34	6	5	1	5	80

TOTAL FG 1st HALF 9/17 52.9% 2nd HALF 7/14 50.0% GAME 16/ 31 51.6% DEADBALL
 3-POINT FG 1st HALF 1/ 1 100.0% 2nd HALF 1/ 3 33.3% GAME 2/ 4 50.0% REBOUNDS 1
 FREE THROWS 1st HALF 0/ 0 0.0% 2nd HALF 0/ 3 0.0% GAME 0/ 3 0.0%

HOME (Last Name, First)

NO.	CORBIN	Tot FG		3-POINT		FT	FTA	Rebounds			PF	TP	A	TO	BLK	S	TIME
		FG	FGA	FG	FGA			OFF	DEF	TOT							
04	Ely, Jeff	1	4	0	2	1	2	1	0	1	1	3	2	0	0	0	9:53
30	Roaden, Bo	6	10	1	3	0	0	2	4	6	1	13	1	1	0	0	16:00
40	Helton, Steve	0	0	0	0	0	0	0	0	0	0	0	0	0	0	0	3:19
10	Parsons, Wade	1	1	0	0	0	0	0	2	2	1	2	1	1	0	0	15:53
20	Barton, Brent	3	10	0	6	2	2	1	2	3	2	8	2	4	0	0	16:00
23	Pietrowski, Tony	2	2	0	0	0	0	1	1	2	1	4	0	1	0	2	12:48
24	Helton, Frankie	0	0	0	0	0	0	0	1	1	1	0	0	0	0	0	6:07
TEAM REBOUNDS (INCLUDED IN TOTALS)								1 1									
TOTALS		13	27	1	11	3	4	5	11	16	7	30	6	7	0	2	80

TOTAL FG 1st HALF 8/18 44.4% 2nd HALF 5/ 9 55.6% GAME 13/ 27 48.1% DEADBALL
 3-POINT FG 1st HALF 1/ 8 12.5% 2nd HALF 0/ 3 0.0% GAME 1/ 11 9.1% REBOUNDS 0
 FREE THROWS 1st HALF 0/ 0 0.0% 2nd HALF 3/ 4 75.0% GAME 3/ 4 75.0%

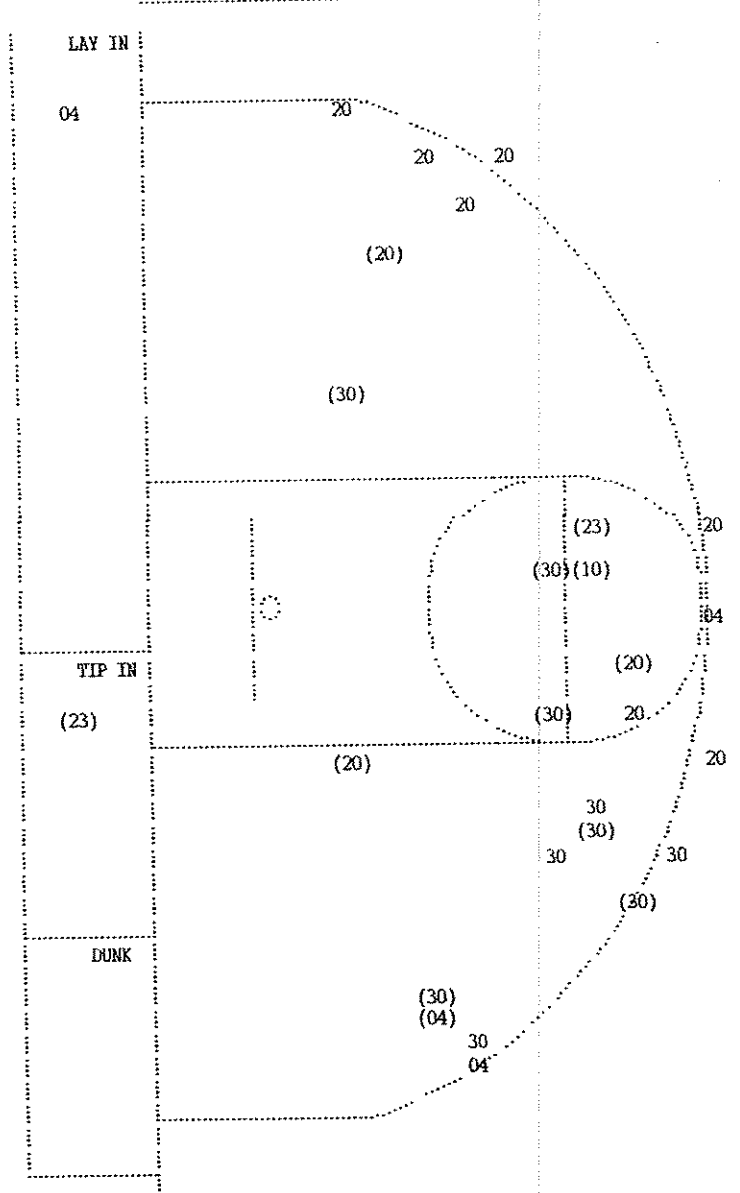
OFFICIALS: Roy Boisture, Danny Percell, Y. Allen-Alt.
 Technicals: None

SCORE BY PERIODS
 FAIRDALE 19 15 = 34
 CORBIN 17 13 = 30

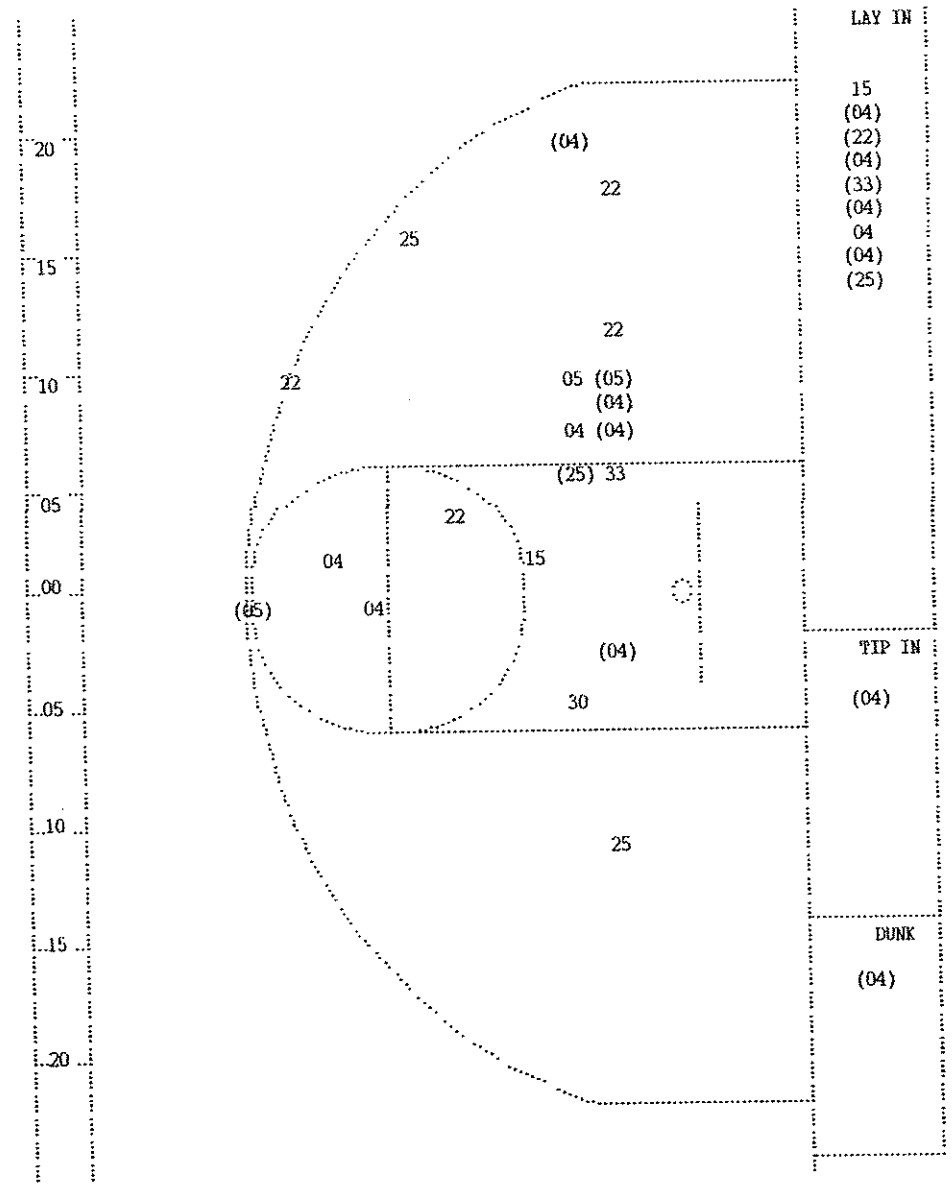
Attendance: 15,875

COMMENTS: POINTS OFF TURNOVERS
 FAIRDALE 11 CORBIN

SECOND CHANCE POINTS
 4 FAIRDALE 10 CORBIN



CORBIN					
Player			Player		
04 - Ely, Jeff	1 / 4	25.0%			
30 - Roaden, Bo	6 / 10	60.0%			
10 - Parsons, W	1 / 1	100.0%			
20 - Barton, Br	3 / 10	30.0%			
23 - Pietrowski	2 / 2	100.0%			
Layups	1-9 Ft	10-15 Ft	Over 15 Ft	3 Pointers	Total
1 / 2	1 / 1	5 / 5	5 / 8	1 / 11	13 / 27
50.0%	100.0%	100.0%	62.5%	9.1%	48.1%



FAIRDALE					
Player			Player		
04 - Brown, Jer	10 / 14	71.4%	30 - Kelso, Chr	0 / 1	0.0%
22 - Morris, Ma	1 / 5	20.0%	33 - Bishop, Se	1 / 2	50.0%
25 - Comstock,	2 / 4	50.0%			
05 - Thompson,	2 / 3	66.6%			
15 - Turner, Ca	0 / 2	0.0%			
Layups	1-9 Ft	10-15 Ft	Over 15 Ft	3 Pointers	Total
9 / 11	3 / 7	2 / 7	0 / 2	2 / 4	16 / 31
81.8%	42.9%	28.6%	0.0%	50.0%	51.6%

FAIRDALE "Bulldogs" vs CORBIN "Redhounds"
2nd Half Play by Play

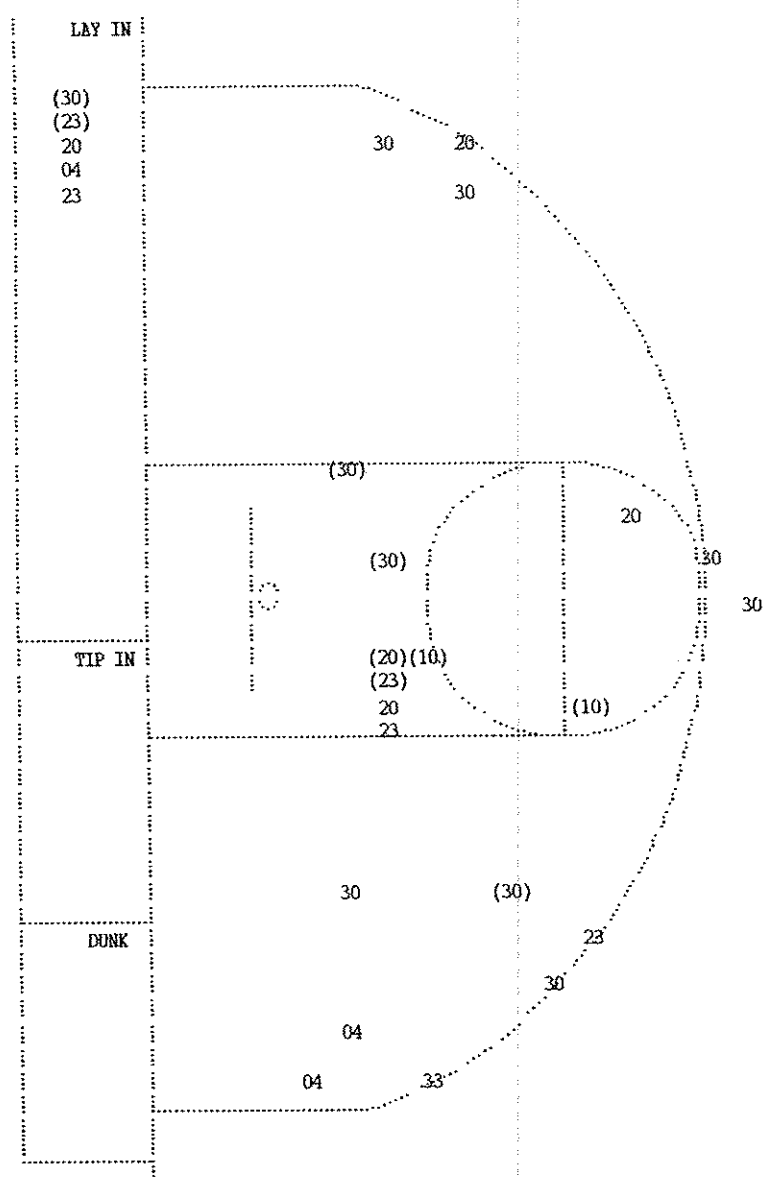
Tip off at 9:25 p.m. on 03/15/91 at Lexington, Ky.
Produced by the University of Kentucky Stat Crew with FINAL III - a Product of LEXICON

PAGE : 1

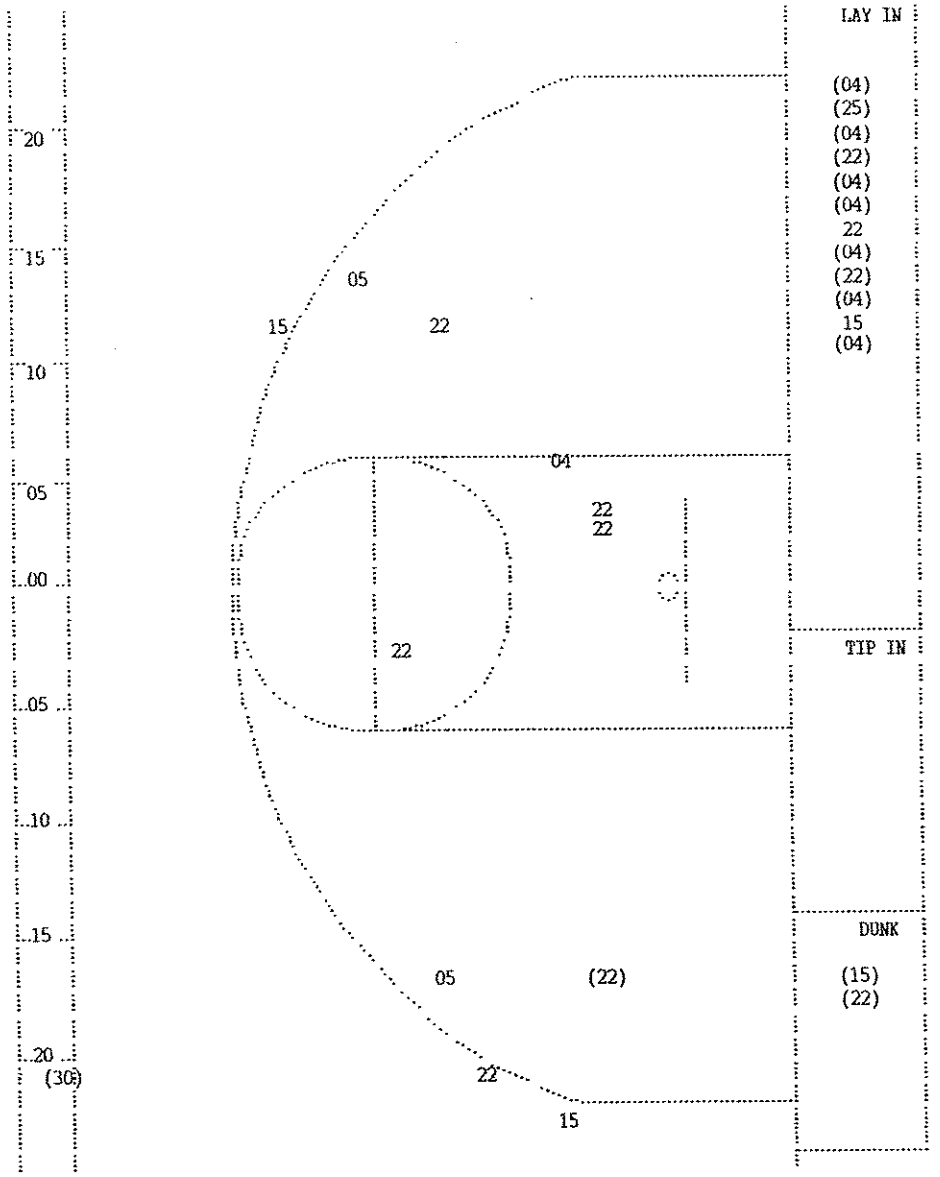
Player	Team	CORBIN	Time	Score	FAIRDALE	Player	Team
Ely, Jeff, Roaden, Bo, Helton		Steve, Parsons, Wade, Barton, Brent			Brown, Jermaine, Morris, Maurice, Comstock, Tim, Thompson, Jeff, Turner, Carlos		
		Ball to Redhounds					
3- 3 100%	4- 5 80.0%	Barton, Brent 1 Free Throw - made	3 7:54	30-36*	Driving Layup by Brown, Jermaine	11-15 73.3%	17-32 53.1%
4- 4 100%	5- 6 83.3%	Barton, Brent 1 Free Throw - made	3 7:30	30-38*	Fast Break Layup by Comstock, Tim	3-5 60.0%	18-33 54.5%
					Assist by Turner, Carlos	2	7
			3 6:46		Foul on Brown, Jermaine	2	1
			3 6:46	*31-38			
			3 6:44	*32-38			
			3 6:33	32-40*	Layup Alley Oop by Brown, Jermaine	12-16 75.0%	19-35 54.2%
					Assist by Comstock, Tim	2	8
			3 6:14	32-42*	Layup Alley Oop by Morris, Maurice	2-6 33.3%	20-36 55.5%
					Assist by Brown, Jermaine	1	9
			3 6:11				
		REB: 17 A: 6 BLK: 0 TO: 7 PF: 0			REB: 19 A: 9 BLK: 1 TO: 5 PF: 1		
		S: 2 FT: 5-6 83.3% FG: 13-30 43.3%	No. 1 CORBIN T I M E - O U T		S: 5 FT: 0-3 00.0% FG: 20-36 55.5%		
		Sub In: Helton, Frankie Out: Ely, Jeff	3 6:11				
			3 5:51		Foul on Comstock, Tim	2	2
2	1	Foul on Roaden, Bo	3 5:25				
			3 5:25	32-43*	Brown, Jermaine 2 Free Throws - made 1st missed 2nd	1- 2 50.0%	1- 5 20.0%
		Sub In: Pietrowski, Tony Out: Helton, Steve	3 5:19				
2-2	100%	14-32 43.7%	3 5:19	*34-43			
		6 ft Lane Driving by Parsons, Wade	3 4:46		Foul on Morris, Maurice	1	3
			3 4:33	34-45*	16 ft Right Side Jump shot by Morris, Maurice	3-8 37.5%	21-38 55.2%
			3 4:20	*36-45			
7-13	53.8%	15-35 42.8%	3 4:04	36-47*	Follow Layup by Brown, Jermaine	13-17 76.4%	22-40 55.0%
		Follow Layup by Roaden, Bo	3 3:47	36-49*	Fast Break Dunk by Turner, Carlos	1-4 25.0%	23-41 56.0%
					Assist by Thompson, Jeff	2	10
			3 3:26		Foul on Comstock, Tim	3	4
		Sub In: Ely, Jeff Out: Helton, Frankie	3 3:26				
		Sub In: Estep, Jason Out: Barton, Brent	3 3:26	*38-49			
8-14	57.1%	16-37 43.2%	3 3:11		Foul on Comstock, Tim	4	5
		16 ft Left Side Jump shot by Roaden, Bo	3 3:11		Sub In: Bishop, Sean Out: Comstock, Tim		
			3 2:12		Foul on Brown, Jermaine	3	6
		Sub In: Barton, Brent Out: Estep, Jason	3 2:12				
			3 1:53	38-51*	Fast Break Dunk by Morris, Maurice	4-10 40.0%	24-42 57.1%
					Assist by Brown, Jermaine	2	11
			3 1:36		Foul on Morris, Maurice	2	7
			3 1:36		Sub In: Kelso, Chris Out: Morris, Maurice		
1- 2 50.0%	6- 8 75.0%	Roaden, Bo 2 Free Throws - made 1st missed 2nd	3 1:36	*39-51			
3-5 60.0%	17-42 40.4%	Driving Layup by Pietrowski, Tony	3 1:15	*41-51			
3	7	Assist by Barton, Brent					
			3 0:49		Foul on Kelso, Chris	1	8
1- 2 50.0%	7-10 70.0%	Pietrowski, Tony 2 Free Throws - made 1st missed 2nd	3 0:49	*44-51			
2	2	Foul on Ely, Jeff	3 0:40				
			3 0:39	44-53*	Driving Layup by Brown, Jermaine	14-19 73.6%	25-44 56.8%
			3 0:06		Foul on Turner, Carlos	4	9
			3 0:06	*46-53			
6- 6 100%	9-12 75.0%	Barton, Brent 2 Free Throws - made both	3 0:00	*49-53			
9-18 50.0%	18-44 40.9%	3 pt 36 ft Left Angle Jump shot by Roaden, Bo					

Player	Team	CORBIN	Time	Score	FAIRDALE	Player	Team
Parsons, Wade, Barton, Brent, Roaden, Bo, Pietrowski, Tony, Ely, Jeff					Turner, Carlos, Morris, Maurice, Bishop, Sean, Brown, Jermaine, Thompson, Jeff		
4-6 66.6% 19-45 42.2%		Ball to Redhounds	4 7:47	*51-53			
10-19 52.6% 20-47 42.5%		6 ft Lane Bank by Pietrowski, Tony	4 6:58	*53-53			
3 3		4 ft Lane Driving by Roaden, Bo	4 6:40				
		Foul on Roaden, Bo	4 6:40	53-55*	Bishop, Sean 2 Free Throws - made both	2- 4 50.0%	3- 7 42.8%
3- 4 75.0%	11-14 78.5%	Roaden, Bo 2 Free Throws - made both	4 6:21	*53-55	Foul on Bishop, Sean	2	10
2- 4 50.0%	12-16 75.0%	Ely, Jeff 2 Free Throws - made 1st missed 2nd	4 6:07		Foul on Brown, Jermaine	4	11
4-15 26.6%	21-50 42.0%	4 ft Lane Bank by Barton, Brent	4 6:07	*54-55			
3 4		Foul on Ely, Jeff	4 5:05	54-57*	Follow Layup by Brown, Jermaine	15-20 75.0%	26-50 52.0%
		Sub In: Helton, Frankie Out: Ely, Jeff	4 4:49	*56-57			
			4 4:43				
			4 4:42				
			4 4:24		Foul on Morris, Maurice	3	12
		REB: 26 A: 7 BLK: 0 TO: 8 PF: 4	4 4:24		REB: 33 A: 11 BLK: 3 TO: 12 PF: 12		
		S: 6 FT: 12-16 75.0% FG: 21-50 42.0%		T I M E - O U T FAIRDALE No. 1	S: 6 FT: 3-7 42.8% FG: 26-50 52.0%		
7- 8 87.5%	13-18 72.2%	Barton, Brent 2 Free Throws - made 1st missed 2nd	4 4:24	*57-57			
11-21 52.3%	22-51 43.1%	6 ft Lane Bank by Roaden, Bo, made	4 4:02	57-59*	Follow Layup by Morris, Maurice	5-14 35.7%	27-52 51.9%
1 8		Assist by Pietrowski, Tony	4 3:46	*59-59			
			4 3:30		Bad Pass by Thompson, Jeff	2	13
			4 2:22		Steal by Brown, Jermaine	1	7
2 9		Bad Pass by Roaden, Bo	4 2:20				
			4 2:18	59-61*	Fast Break Layup by Brown, Jermaine, made	16-21 76.1%	28-53 52.8%
2 10		Dribbling Error on Pietrowski, Tony	4 2:01				
			4 1:58		Fast Break Layup by Turner, Carlos, missed	1-6 16.6%	28-54 51.8%
			4 1:57		Rebound by Brown, Jermaine	0-1 Tot-1	0-1 Tot-36
			4 1:57	59-63*	Follow Layup by Brown, Jermaine, made	17-22 77.2%	29-55 52.7%
		REB: 26 A: 8 BLK: 0 TO: 10 PF: 4	4 1:52		REB: 36 A: 11 BLK: 3 TO: 13 PF: 12		
		S: 6 FT: 13-18 72.2% FG: 22-51 43.1%		No. 2 CORBIN T I M E - O U T	S: 7 FT: 3-7 42.8% FG: 29-55 52.7%		
3-3 100%	23-52 44.2%	15 ft Lane Jump shot by Parsons, Wade, made	4 1:26	*61-63			
2 9		Assist by Roaden, Bo	4 0:59		Closely Guarded Violation on Thompson, Jeff	3	14
		Sub In: Ely, Jeff Out: Helton, Frankie	4 0:59				
4-7 57.1%	23-53 43.3%	Driving Layup by Pietrowski, Tony, missed	4 0:59				
4 5		Foul on Ely, Jeff	4 0:40		Rebound by Brown, Jermaine	D-1 Tot-2	D-1 Tot-37
4 6		Foul on Roaden, Bo	4 0:32				
5 7		Foul on Ely, Jeff	4 0:30				
		Sub In: Helton, Frankie Out: Ely, Jeff	4 0:28				
			4 0:28				
			4 0:28	61-65*	Bishop, Sean 2 Free Throws - made both	4- 6 66.6%	5- 9 55.5%
3 11		Traveling Violation on Roaden, Bo	4 0:20				
5 8		Foul on Roaden, Bo	4 0:17				
		Sub In: Curry, Toby Out: Roaden, Bo	4 0:17				
0-1 00.0%	23-54 42.5%	3 pt 21 ft Left Side Jump shot by	4 0:17	61-67*	Bishop, Sean 2 Free Throws - made both	6- 8 75.0%	7-11 63.6%
		Curry, Toby, missed	4 0:09				
			4 0:04		Rebound by Turner, Carlos	D-1 Tot-1	D-2 Tot-38
			4 0:00		3 pt 22 ft Right Side Jump shot by		
					Morris, Maurice, missed	5-15 33.3%	29-56 51.7%
			4 0:00		Rebound by Bishop, Sean	0-1 Tot-1	0-2 Tot-39

SECOND HALF SHOT CHART Produced by the University of Kentucky Stat Crew with FINAL III - a Product of LEXICON SPORTS™



CORBIN			CORBIN			CORBIN		
Player			Player			Player		
04 - Ely, Jeff	0/3	0.0%	33 - Curry, Tob	0/1	0.0%			
30 - Roaden, Bo	5/11	45.4%						
10 - Parsons, W	2/2	100.0%						
20 - Barton, Br	1/5	20.0%						
23 - Pietrowski	2/5	40.0%						
Layups	1-9 Ft	10-15 Ft	Over 15 Ft	3 Pointers	Total			
2/5	5/7	1/2	1/3	1/10	10/27			
40.0%	71.4%	50.0%	33.3%	10.0%	37.0%			



FAIRDALE			FAIRDALE			FAIRDALE		
Player			Player			Player		
04 - Brown, Jer	7/8	87.5%						
22 - Morris, Ma	4/10	40.0%						
25 - Constock, J	1/1	100.0%						
05 - Thompson, C	0/2	0.0%						
15 - Turner, Ca	1/4	25.0%						
Layups	1-9 Ft	10-15 Ft	Over 15 Ft	3 Pointers	Total			
12/14	0/3	0/1	1/3	0/4	13/25			
85.7%	0.0%	0.0%	33.3%	0.0%	52.0%			